



Contents

KEF and the multi award winning KHT story	02
Uni Q® Technology	03
ACE Technology	04
1000 Series	05
2000 Series	07
3000 Series	09
5000 Series	11
6000 Series	13
9000 Series	15
<i>fivetwo</i> series	17
Wireless	19
Subwoofers	21
Specifications	23

KEF and the multi award-winning KHT story



The more sophisticated that digital audio formats become, the better your speakers need to be. Which to choose, though? Manufacturers come and go. Design trends appear, then fade away. But with KEF, you're dealing with people who've been consistently innovating since 1961.

The KEF Home Theatre (KHT) Series is a good example. By bringing audiophile quality sound to affordable home entertainment, it's been breaking new ground ever since it was first introduced. As its many awards and 5 star ratings prove, the original outperformed every conventional system in its class.

The latest KHT systems extend this advantage even further, whatever your budget. With the introduction of radically innovative concepts like Acoustic Compliance Enhancement (ACE), the latest refinements of KEF's trademark Uni Q technology and a new generation of powered subwoofers, there's a formidable line up of options to choose from.

They're all designed to reproduce every last detail encoded in the latest home entertainment formats, and having identical driver for the satellite and centre speakers of each system guarantees a perfect tonal match. Naturally, they're all magnetically shielded to avoid interference with your other equipment.

Although each has its own distinctive look, every system is engineered with acoustically inert cast aluminium enclosures and high end components including metal dome tweeters to create an accurate and compellingly real 3D soundscape and with the ultra wide dispersion characteristics of KEF's Uni Q point source array, it's enjoyed with equal pleasure by everyone in the room.

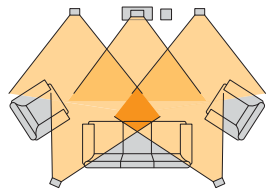
Technology



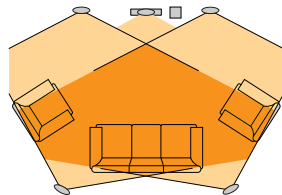
Uni-Q

KEF's patented Uni Q driver configuration disperses the sound image over a much larger area than a conventional speaker; instead of being restricted to a small 'sweet spot'. This outstanding off axis response is made possible by using aerospace materials to engineer a high performance tweeter that's small enough to mount in the exact acoustic centre of the bass/midrange cone so that both act as a single point source – an ideal that, so far, only KEF has achieved.

Based on those developed for the legendary Reference Series, the Uni Q arrays in the KHT range are the most sophisticated yet, with metal dome HF drivers that reproduce the human voice with breathtaking accuracy. In purely practical terms, the larger sound image gives you far greater flexibility in placing your speakers where they look best. For home theatre, it means that you experience even the subtlest 3D soundtrack effects with the same clarity and realism wherever you sit.



Conventional loudspeaker dispersion showing narrow 'sweet spot'.



Excellent dispersion characteristics common with all Uni Q based products showing wider listening area.

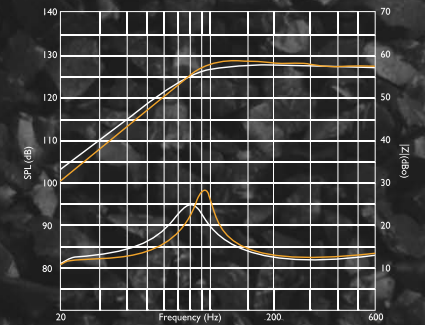
ACE

The holy grail of loudspeaker design has always been to generate big bass from small boxes. The trouble is, the laws of physics make this almost impossible to achieve, as bass extension relates directly to efficiency and cabinet size.

Continuing a 40 year tradition of genuine design innovation, KEF engineers have now developed a way of overcoming this apparently insoluble limitation. It's called Acoustic Compliance Enhancement (ACE), and it works like this. In conventional speakers, cone motion is restricted by the acoustic pressure in the enclosure as the air is alternately compressed and expanded by the cone moving in and out. The smaller the enclosure, the greater the pressure that acts on the cone. By dramatically reducing this pressure, ACE allows the cone to move as freely as it would in a much larger cabinet, generating bass extension out of all proportion to its actual size.

This is achieved by introducing granules of activated carbon into the enclosure – a material containing millions of pores ranging in size from visible fissures to holes a few molecules across. One of its characteristics is a capacity for physical

Effect of ACE on a 10 litre closed box loudspeaker



adsorption, the gravity like molecular force in which a substance (usually a gas) accumulates in a thin film on the surface of a solid. In the ACE loudspeaker when the cone moves inwards the air pressure increases, triggering adsorption of air molecules from the free air into the carbon. This removal of air molecules from the free air causes the internal pressure to decrease. When the cone moves outwards the opposite happens and the carbon gives out air molecules. The ACE material is constantly acting to reduce the pressure variations in the enclosure in a controlled and linear fashion.

It's an innovation that makes an amazing difference for the listener. By enhancing compliance by anything from 150% to 300%, ACE enabled loudspeakers perform like units up to three times their size. In trials of identical Uni Q arrays fitted to an ACE enclosure 40% smaller than the test cabinet, not only did the listeners agree that bass was undiminished they unanimously preferred the bass attack of the ACE version. And that's the acid test of any radical breakthrough in audio design: subjectively as well as objectively, ACE enriches the listening experience.



home theatre 1000 Series

KHT1005.2



They may look cute but they sound anything but. Experiencing a movie or favourite album through KHT1005.2 is like seeing an old friend after a makeover: fresh, involving, more intense. The centre and satellite speakers all have KEF's stunning 75mm (3in.) Uni Q driver - the smallest ever made, its 15mm (0.6in.) metal dome tweeter and double neodymium magnets deliver the extended bandwidth you normally get with much larger units.

The curvy die cast aluminium enclosures eliminate the diffractions and internal resonances that so often blur the output of conventional small speakers, so the sound is cleaner and crisper.

The sound image is completed by the KUBE I subwoofer, its 150 Watt onboard power amp driving a side firing 200mm (8in.) long throw bass unit and 200mm (8in.) ABR. With output fully adjustable for phase, frequency and level, its attack is as forceful as it is accurate.

Whether you prefer shelf mounting, wall brackets or optional floor stands with internal cable management, the installation is as discreet as can be until you press 'play', and the whole room fills with immaculate three dimensional sound. High gloss black and matt silver finishes available.



Discreet design of HTS1001.2 satellite.



Compact KUBE I subwoofer.



Optional floorstands.



home theatre 2000 Series

KHT2005.3



Charismatic is the only word to describe it. Like the multi award winning KHT2005 from which it evolved, the reflex ported KHT2005.3 pushes the performance envelope of midrange home theatre like no other system.

The specification tells part of the story: with parabolic enclosures computer optimised to eliminate cabinet distortions, the full range centre and satellites all feature KEF's 100mm (4in.) Uni Q array incorporating the 19mm (0.75in) aluminium dome tweeter from the acclaimed Q Series. Ferrofluid cooled for better power handling and driven by twin neodymium magnets, HF reproduction is startling - even whispered dialogue is pin sharp.

But the real magic lies in the way all the system components work together.

The tonal match is perfect, and transitions are so smooth you simply can't hear them. Like all KHT Series subwoofers, the matching new 200 Watt KUBE 2 has a selectable 'Bass Boost' switch for even more bass 'slam' with movie sound effects, and individual phase, frequency and level controls allow you to fine tune the output to get the perfect balance with the satellite speakers and your room acoustics.

An ingenious multi directional base makes it easy to place each satellite wherever it suits you: on a flat surface, at an angle on walls, or on the optional floor stands. It all adds up to a chic, superbly engineered system that delivers way beyond what you'd expect for the price. Available in high gloss black or matt silver finishes.



KUBE 2 powered subwoofer.

Cable management system built into mounting bracket (top). High gloss black finish (bottom) of HTS2001.3 satellite.

HTS2001.3 satellite shown in matt silver finish.

Available from June 2008



home theatre 3000 Series



HTB2SE subwoofer can be mounted horizontally as shown.

HTC3001SE centre speaker (top). 'Tangerine' waveguide increases the sensitivity of upper HF resulting in better sound dispersion (bottom).

The elegantly simple optional matt finished floorstands complement the satellite speakers in both form and function.

KHT3005SE



Clearly an evolution of the award winning 3000 Series, the new KHT3005SE is the latest version of the iconic 'egg' home theatre system, updated to provide an even stronger audio performance with improved clarity and detail yet maintaining the beauty and style that helped make its predecessor a reviewer's favourite.

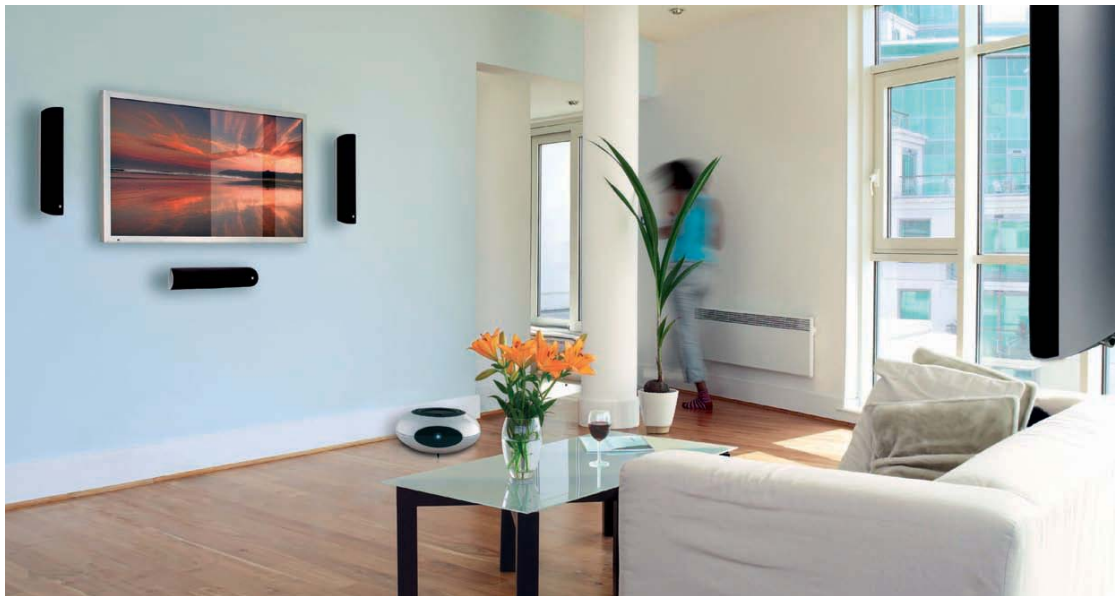
The revolutionary 115mm (4.5in.) Uni Q driver of the satellite and centre speaker has been enhanced by the addition of the ingenious 'Tangerine' waveguide, for improved sensitivity and sound dispersion and have been comprehensively engineered for an even cleaner, smoother response. Distinctive radial ribs on the midrange cone improve its rigidity for pure, clean vocal effects with exceptionally low distortion. The cast aluminium enclosures are shaped to minimise internal resonance so that the satellites fill the room with a lush and incredibly detailed 3D sound.

KEF's unique Sealed Suspension Technology SST™ (patent applied for) dramatically improves sound quality at higher volumes as it effectively seals the gap between the moving midrange cone and tweeter.

Carrying up to 60% of the sound, the centre channel is vital in any home theatre system, and the dedicated centre speaker is in a class of its own.

Flanked by two 75mm (3in.) bass drivers in addition to the same Uni Q drivers as the satellites, the hefty frontal impact is complemented by amazingly clear dialogue.

When you're buying audiophile quality sound, you want your system to look the part. The 3000 Series comes in a choice of high gloss black or high gloss silver finishes; whichever you choose, you'll find that the surface reflections echo the distinctively smooth contours of the enclosures.



KHT5005.2
KHT5005.2 Wireless



home theatre
5000 Series

The cool minimalism of these slender cast aluminium column speakers belies the sophistication of the technology that makes them sound so authoritative.

Flanked by a pair of 75mm (3in.) long throw bass drivers with ultra low distortion motor systems, the Uni Q array has KEF's 15mm (0.6in.) metal dome HF driver at the acoustic centre of the 75mm (3in.) midrange cone to disperse a seamless sonic image evenly throughout the listening area.

And what an image it is richly textured and spatially precise in every dimension. Whether you're watching a film or chilling out to a few tracks, they sound as clean as they look. KEF's characteristic attention to detail in everything from the audiophile grade wiring and internal components to the curvature of the cabinets maximises the Uni Q performance advantage, creating a big, expansive sound that's accurate enough to clarify every nuance in the recording.

The sensational HTB2SE subwoofer pumps out a genius 250 Watts of distortion free bass and with the choice of floor stands, wall brackets and either short or infinitely

height adjustable desk stands, you can place the satellite speakers wherever they look best.

The 5000 Series is also available with Wireless technology for the two rear satellites, providing freedom to locate almost anywhere without the worry of hiding lengthy speaker cables.

Superb signal reliability is delivered with CD quality sound from a small central transmitter to the receivers integrated neatly into the rear speakers whether they are floor or desk mounted.

For full details of KEF's revolutionary new wireless technology please refer to page 19. Available in high gloss black and matt silver finishes.



KHT5005.2W system setup showing rear wireless desktop stands.

Optional floorstands and variable height adjustable desktop stands.

Wall or desktop mounting options.





home theatre 6000 Series

KHT6000



Every once in a while you come across a piece of design that looks so right you just know it's going to perform superbly like the KHT6000. Designed from the start to complement the latest generation of flat screen TVs, it combines high end KEF Audio technologies in a consummately elegant package. Centre stage is a Uni Q array with KEF's aluminium dome tweeter set into a 75mm (3in.) midrange cone, so you know that vocals are going to sound clear, warm and beautifully balanced wherever you sit.

With a line up of no less than four 75mm (3in.) long throw midrange/bass drivers with ultra low distortion motors, you know that the sound image will be so real you can almost touch it. Big. Confident. Evenly voiced. The separate Uni Q enclosure utilises ACE technology to move the enclosure resonance below the working frequency range and absorb higher frequency acoustic modes.

Not that you actually notice it after the first few minutes, of course you just find that you start enjoying music and movies more than you used to.

What you might not expect is the ease with which they can be positioned in the room and around your screen. At the back of those slender elliptical section anodised aluminium enclosures you'll find the ingenious Selecta mount™ system of concealed wall brackets; or if you prefer, there's always the neatly cable managed standard shelf or desktop stand and the option of 'Bass Extender', a reflex ported floor stand to further enhance the bass output. Whichever you choose, you'll have the satisfaction of knowing that you have a speaker system that brings out the best in whatever you play.

Available in high gloss black and matt silver finishes.



Uni Q and bass drivers of the HTS6001 satellite.

Stylish design compliments flat screen TVs.

Integral terminal desk stand for HTS6001.

Optional 'Bass Extender'™ bass enhancing stand for HTS6001.



home theatre 9000 Series

KHT9000



As the flagship system of the KHT family, KHT9000 combines KEF's latest performance enhancing innovation with an uncompromised technical specification to create a true audiophile quality 3D sound picture: incredibly spacious, intricately detailed and totally engrossing.

The 165mm (6.5in.) Uni Q driver array brings out the full emotional depth and texture of vocals, whether sung, shouted, spoken or whispered hardly surprising, since it's the same unit as you'll find on the high end Q and XQ Series.

On either side, a matching pair of long throw bass drivers with ultra low distortion motors for a low frequency response that's as lucid as it is gutsy and thanks to KEF's Acoustic Compliance Enhancement (ACE), what you actually hear is the level of bass extension that's only normally obtainable with much larger speakers.

To achieve a genuinely integrated look that complements modern interiors, you have the option of wall brackets or infinitely adjustable desk or floor stands with stand mounted terminals connecting to the drivers via an ingenious sliding track system. Depending on the mounting system chosen, stand or wall bracket, the connections automatically select either the free space or wall mount response setting. The wall filter has a unique form which corrects for both the fundamental wall reflection below 200Hz and the second mode at 700Hz allowing unprecedented tonal accuracy for a wall mounted speaker.

Available separately, and with a choice of compatible powered subwoofers, you're free to tailor yourself the set up that best suits your tastes. If you take your entertainment seriously, it's a blue chip investment in pure pleasure.

Available in high gloss black and matt silver finishes.



Variable height adjustable desktop stand.

Aluminium baffle 165mm (6.5in.)
Uni Q driver from XQ Series
2 x 165mm (6.5in.) woofers.

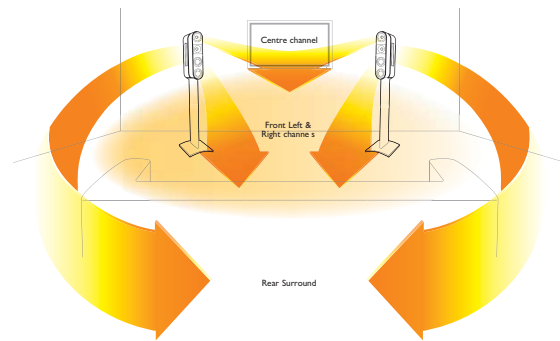
Selecta mount technology: innovative
short/tall sliding stands wall/free space
balance options.



home theatre five*two* series



model 7 (on floorstand) and model 11.



5 Audio channels from 2 speakers.

model 7
model 11



Sound reproduction should be invisible you want surround sound, with the hardware as unobtrusive as possible. Trouble is, conventional home theatre systems require at least five speakers and a subwoofer to be placed around the room, regardless of how they fit with the rest of your furniture decor.

That's why we came up with an alternative. As its name implies, the new *five*two** series envelops you in the surround sound of a full 5.1 set up using only two speakers and a subwoofer (optional).

Whether you choose the compact model 7 (with seven drivers in each speaker) or the formidable model 11 (with no less than eleven), the effect is amazing. Voices sound real and precisely located. Ambient effects travel through a realistic three dimensional soundscape as the director intended. On screen action comes alive for everyone in the room, wherever they sit.

They can be mounted either on neat adjustable wall brackets or floor stands and in line with the thinking behind the whole concept, they're exceptionally simple to set up.

All you have to do is connect the cables supplied to your 5.1 home theatre receiver/amp.

The secret lies in combining KEF's acclaimed Uni Q "sit anywhere" driver concept with NXT flat panel technology. Each speaker has a front firing array of Uni Q drivers from the award winning 5000 and 6000 Series, providing true dedicated centre speakers as well as spreading a highly detailed sound image to your left and right.

Behind them, large vertical flat panels act as high performance rear effect speakers, radiating the relevant parts of the signal to the back of the listening area.

And all the channels can be separately adjusted from your receiver to achieve a perfectly balanced sound.

Available in high gloss black or matt silver finishes.



Wireless System Wireless 5000 Series



Wireless

If the problem of hiding lengthy cables has restricted where you put your loudspeakers, now you have the freedom to locate them virtually anywhere you wish. KEF have developed a remarkable innovation in audio quality and convenience that at last makes high performing wireless speakers a reality.

A remarkable combination of signal transmission, reception and processing technologies combine to ensure superb signal reliability and a CD quality sound transmission that is a match for even the most demanding audio systems.

KEF Wireless System is an ideal add on for any existing rear surround sound speaker set up (regardless of the brand), and can be also used for stereo speakers in a hi fi system where hiding the cables is an inconvenience, especially when the amplifier is some distance from the speakers.

You can locate your speakers virtually anywhere you want to in the room whilst still receiving remarkable CD quality sound with exceptional clarity and remarkable lack of extraneous interference.

Simply connect a receiver to each speaker and partner the transmitter with your amplifier to make wires across your floor a thing of the past. It is of course essential that even the most high performing technology is free from complicated set up and operating procedures. So we have made sure you'll be up and running in minutes thanks to simple connections, with the only additional requirement of delivering mains power to the transmitter and receiver units through discrete power adaptors.

Once in use, you can forget about the technology because automated signal processing means there are no buttons or dials to get in the way of enjoying great sound.

This remarkable technology is available as either a stand alone kit to support an existing system or a complete 5.1 home theatre system in the 5000 Series (as detailed on page 11).

Wireless System is available in high gloss black.



Wireless System transmitter and receiver modules available in high gloss black finish.



Wireless transmitter's front mounted power on button and LED operation light.



KHT5005.2W full system shown with wireless rear speakers on floorstands.



home theatre Subwoofers



KUBE 1 subwoofer showing amplifier panel with adjustable phase, frequency and volume controls.



KUBE 2 subwoofer has a powerful 200W on board amplifier.



HTB2SE subwoofer shown in vertical orientation.

KUBE-1
KUBE-2
HTB2SE



KUBE-1

An incredibly compact yet high performing subwoofer, the KUBE 1 provides a powerful and precise bass whether for the latest action packed blockbuster or the rhythmic sounds of that favourite CD. The sealed cabinet is designed to be space saving and yet the 150W on board Class D amplifier, which powers the 200mm (8in.) long throw bass driver and the 200mm (8in.) ABR (Active Bass Reflex), provides a performance that belies its size. Available in black with gloss upper surface.

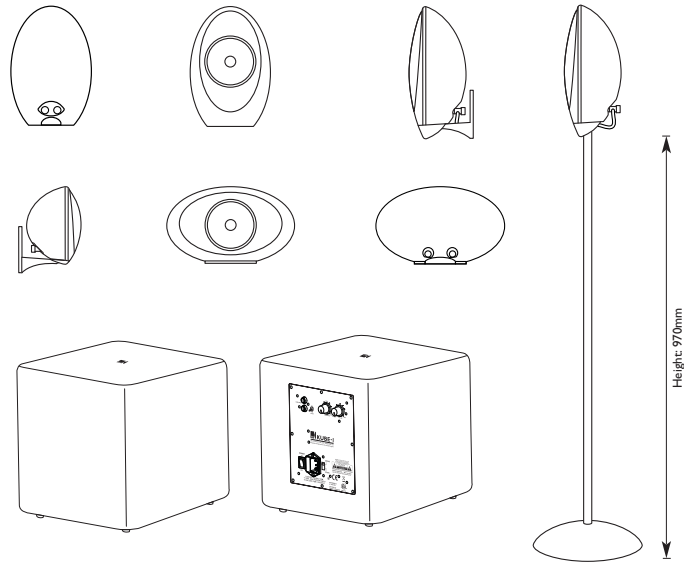
KUBE-2

The KUBE 2 delivers a well defined and impressive bass that is sure to rock any home theatre. The 200W on board Class D amplifier has all the flexibility you need for personalising the output with the same frequency and level adjustments of the KUBE 1 and a 'bass boost' control so any personal preference or even specific room conditions can be catered for. The KUBE 2 features a side firing 250mm (10in.) long throw bass driver and a complementing 250mm (10in.) ABR. Available in black with gloss upper surface.

HTB2SE

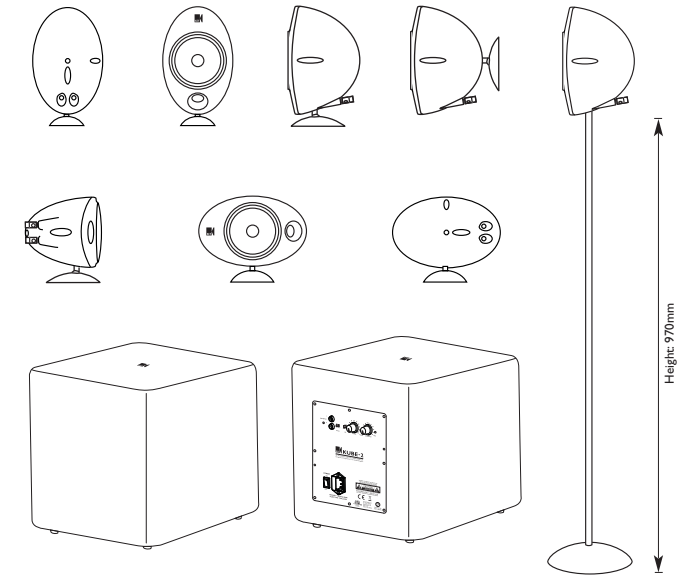
With an ultra reliable, high efficiency, 250W Class D amplifier powering a 250mm (10in.) driver with a matching auxiliary bass radiator, the radical HTB2SE model subwoofer anchors the 3D sound image with stunningly realistic low frequency reproduction, and is designed to compliment the KHT and fiveTwo Series home theatre systems.

Whether you prefer to position it vertically or horizontally, the story's the same: an acoustically inert enclosure shaped to eliminate internal standing waves, extremely fast response and SmartBass™ 'connect and go' versatility with simple bass boost and phase controls. Available in high gloss black or high gloss silver.



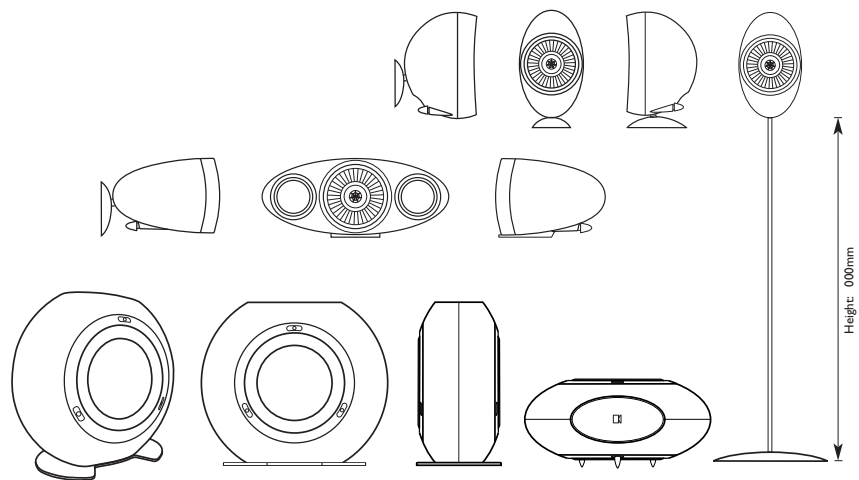
Specifications 1000 Series

	HTS1001.2/HTC1001.2	KUBE-1
Design	Two way closed box Satellite/Centre	Powered Subwoofer
Drive units	75mm (3in) Uni Q array with 15mm (0.6in) aluminium HF	1 x 200mm (8in.) + 1 x 200mm (8in.) ABR
Frequency response (±3dB)	120Hz - 22kHz	38Hz - 150Hz
Crossover frequency	3kHz	N/A
Power handling	100W	N/A
Amplifier	N/A	150W built in Class D
Sensitivity (2.83V/1m)	86dB	N/A
Maximum output (SPL)	104dB	108dB
Impedance	8Ω	N/A
Magnetic shielding	Yes	N/A
Internal volume	0.5litres	15.4litres
Weight	0.7kg (1.5lbs)	9.6kg (21.2lbs)
Dimensions (H x W x D)	Satellite 165 x 110 x 78 mm (6.5 x 4.4 x 3.1 in.) Centre 107 x 181 x 78 mm (4.2 x 7.1 x 3.1 in.)	295 x 295 x 295 mm (11.6 x 11.6 x 11.6 in.)
Finish	High gloss black, matt silver	Black with gloss upper surface
Optional accessories	Floorstand	N/A



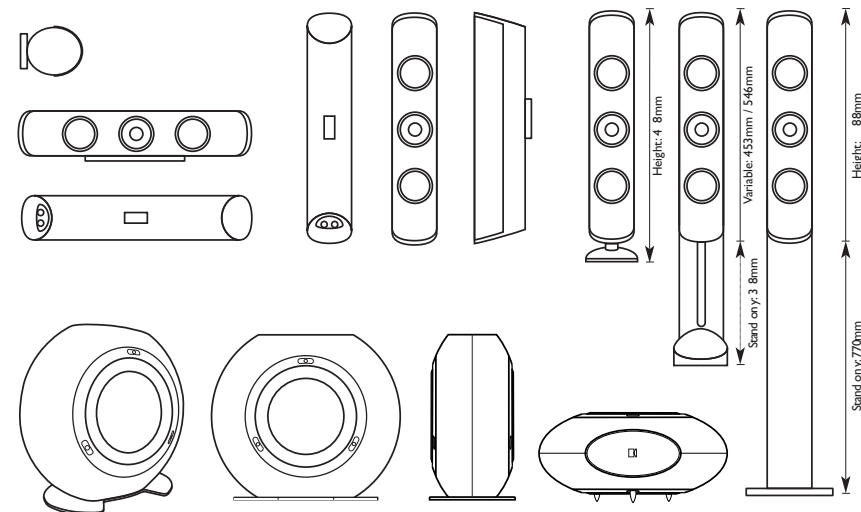
Specifications 2000 Series

	HTS2001.3/HTC2001.3	KUBE-2
Design	Two way bass reflex Satellite/Centre	Powered Subwoofer
Drive units	100mm (4in.) Uni Q array with 19mm (0.75in) aluminium HF	1 x 250mm (10in.) + 1 x 250mm (10in.) ABR
Frequency response (±3dB)	80Hz - 27kHz	35Hz - 150Hz
Crossover frequency	3kHz	N/A
Power handling	100W	N/A
Amplifier	N/A	200W built in Class D
Sensitivity (2.83V/1m)	88dB	N/A
Maximum output (SPL)	104dB	112dB
Impedance	8Ω	N/A
Magnetic shielding	Yes	N/A
Internal volume	1 litre	23.0litres
Weight	2.0kg (4.4 lbs)	12.0kg (26.5lbs)
Dimensions (H x W x D)	Satellite 228 x 130 x 150 mm (9.0 x 5.1 x 5.9 in.) Centre 162 x 190 x 150 mm (6.4 x 7.5 x 5.9 in.)	335 x 330 x 330 mm (13.2 x 13.0 x 13.0 in.)
Finish	High gloss black, matt silver	Black with gloss upper surface
Optional accessories	Floorstand	N/A



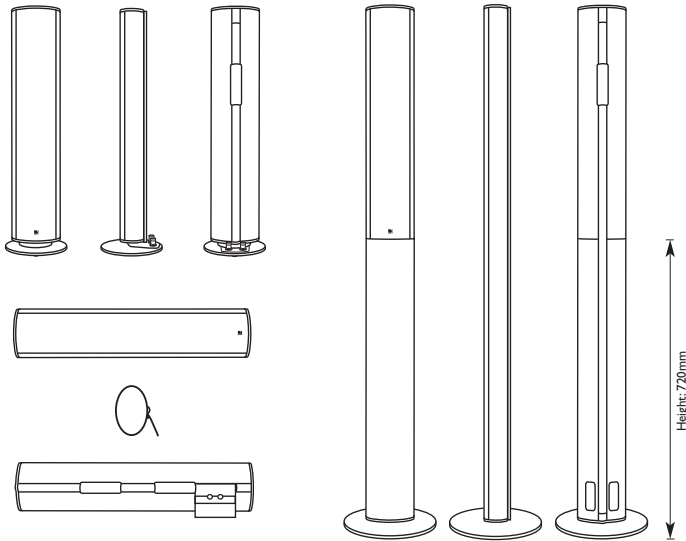
Specifications 3000 Series

	HTS3001SE Satellite	HTC3001SE Centre	HTB2SE Subwoofer
Design	Two way bass reflex	Three way closed box	Powered Subwoofer with passive radiator
Drive units	115mm (4.5in.) Uni Q array with 19mm (0.75in.) aluminium HF	115mm (4.5in.) Uni Q array with 19mm (0.75in.) aluminium HF 2 x 75mm (3in.) LF	1 x 250mm (10in.) + 1 x 250mm (10in.) ABR
Frequency response (±3dB)	70Hz 55kHz	65Hz 55kHz	30Hz 250Hz
Crossover frequency	2.2kHz	500Hz, 2.2kHz	N/A
Power handling	100W	100W	N/A
Amplifier	N/A	N/A	250W built in Class D
Sensitivity (2.83V/1m)	88dB	90dB	N/A
Maximum output (SPL)	108dB	110dB	110dB
Impedance	8Ω	8Ω	N/A
Magnetic shielding	Yes	Yes	Yes
Internal volume	1.8litres	2.4 litres	15.0litres
Weight	2.0kg (4.5lbs)	2.6kg (5.8 lbs)	11.3kg (24.9lbs)
Dimensions (H x W x D)	245 x 125 x 150 mm (9.6 x 4.9 x 5.9 in.)	130 x 300 x 185 mm (5.1 x 11.8 x 7.3 in.)	390 x 440 x 195 mm (vertical) (15.4 x 17.3 x 7.7 in.) 227 x 440 x 385 mm (horizontal) (8.9 x 17.3 x 15.2 in.)
Finish	High gloss black, high gloss silver	High gloss black, high gloss silver	High gloss black, high gloss silver
Optional accessories	Floorstand	N/A	N/A



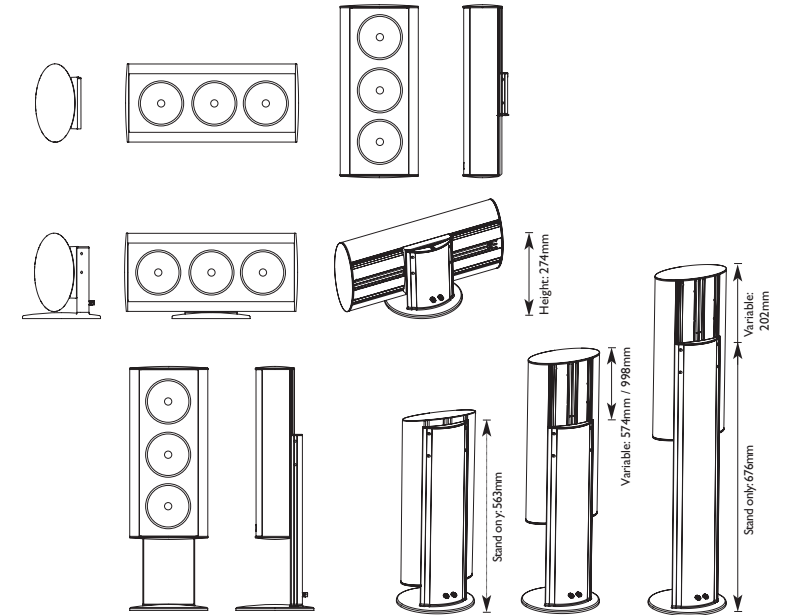
Specifications 5000 Series

		HTS5001.2/HTC5001.2	HTB2SE Subwoofer
Design		Three way closed box Sate lite/Centre	Powered Subwoofer with passive radiator
Drive units		75mm (3in) Uni Q array with 15mm (0.6in.) aluminium HF 2 x 75mm (3in.) LF	1 x 250mm (10in.) + 1 x 250 mm (10in.) ABR
Frequency response (±3dB)		95Hz 30kHz	30Hz 250Hz
Crossover frequency		300Hz, 3kHz	N/A
Power handling		100W	N/A
Amplifier		N/A	250W built in Class D
Sensitivity (2.83V/1m)		87dB	N/A
Maximum output (SPL)		106dB	110dB
Impedance		8Ω	N/A
Magnetic shielding		Yes	Yes
Internal volume		1.4litres	15.0litres
Weight		2.0kg (4.4lbs)	11.3kg (24.9lbs)
Dimensions (H x W x D)	Sate lite	419 x 88 x 127 mm (16.5 x 3.5 x 5.0 in.)	390 x 440 x 195 mm (vertical) (15.4 x 17.3 x 7.7 in.)
	Centre	88 x 419 x 127 mm (3.5 x 16.5 x 5.0 in.)	227 x 440 x 385 mm (horizontal) (8.9 x 17.3 x 15.2 in.)
Finish		High gloss black, matt silver	High gloss black, high gloss silver
Optional accessories		Height adjustable deskstand Floorstand	N/A



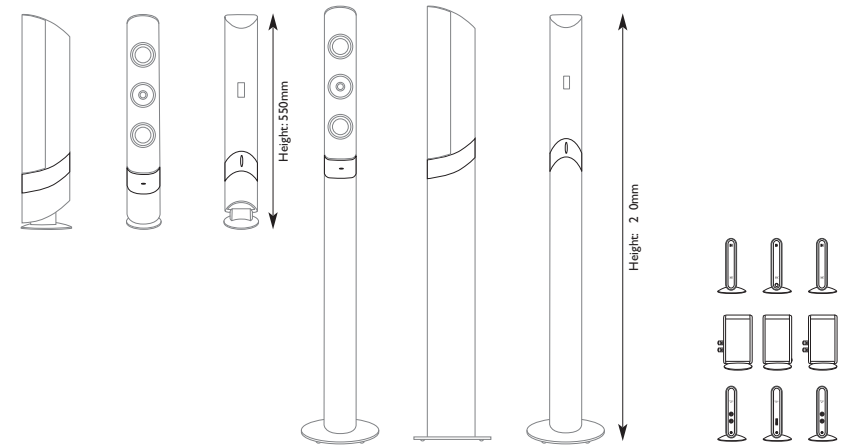
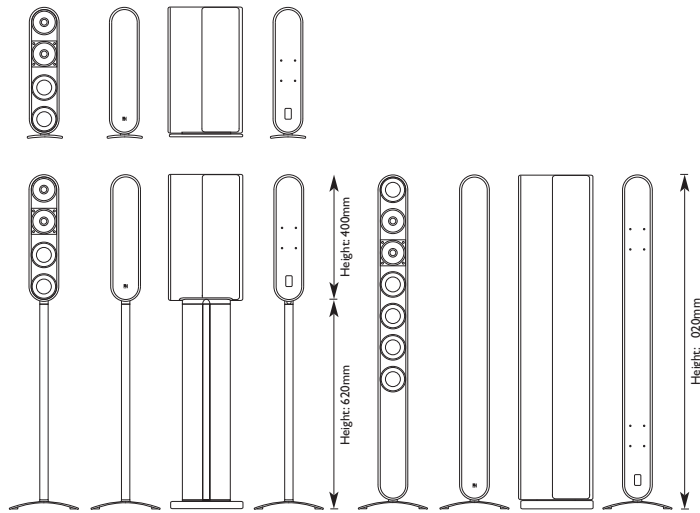
Specifications 6000 Series

	HTS6001 Satellite	HTC6001 Centre
Design	Three way closed box, ACE in MF enclosure	Three way closed box, ACE in MF enclosure
Drive units	75mm (3in.) Uni Q array with 15mm (0.6in.) aluminium HF 4 x 75mm (3in.) LF	75mm (3in.) Uni Q array with 15mm (0.6in.) aluminium HF 4 x 75mm (3in.) LF
Frequency response (±3dB)	90Hz - 30kHz 75Hz - 30kHz <small>(with optional Bass Extender* bass enhancing stand)</small>	90Hz - 30kHz
Crossover frequency	800Hz, 3kHz	800Hz, 3kHz
Power handling	100W	100W
Sensitivity (2.83V/1m)	87dB	87dB
Maximum output (SPL)	109dB	109dB
Impedance	8Ω	8Ω
Magnetic shielding	Yes	Yes
Internal volume	2.9litres	2.9litres
Weight	3.9kg (8.6lbs)	3.9kg (8.6lbs)
Dimensions (H x W x D)	600 x 121 x 85 mm (23.6 x 4.8 x 3.4 in.)	121 x 577 x 85 mm (4.8 x 22.7 x 3.4 in.)
Finish	High gloss black, matt silver	High gloss black, matt silver
Optional accessories	Floorstand with Bass Extender	N/A



Specifications 9000 Series

	HTS9001 Satellite	HTC9001 Centre
Design	Three way closed box, ACE enclosure	Three way closed box, ACE enclosure
Drive units	165mm (6.5in.) Uni Q array with 19mm (0.75in.) aluminium HF 2x 165mm (6.5in.) LF	165mm (6.5in.) Uni Q array with 19mm (0.75in.) aluminium HF 2x 165mm (6.5in.) LF
Frequency response (±3dB)	75Hz - 27kHz	75Hz - 27kHz
Crossover frequency	400Hz, 3kHz	400Hz, 3kHz
Power handling	150W	150W
Sensitivity (2.83V/1m)	88dB	88dB
Maximum output (SPL)	111dB	111dB
Impedance	8Ω	8Ω
Magnetic shielding	Yes	Yes
Internal volume	11.5litres	11.5litres
Weight	9.9kg (21.8lbs)	9.9kg (21.8lbs)
Dimensions (H x W x D)	555 x 250 x 125 mm (21.8 x 9.8 x 4.9 in.)	250 x 555 x 125 mm (9.8 x 21.8 x 4.9 in.)
Finish	High gloss black, matt silver	High gloss black, matt silver
Optional accessories	Height adjustable desktop stand Floorstand	Height adjustable desktop stand Floorstand



Specifications fivetwo series

	MODEL 7	MODEL 11
Design	Closed box surround sound	Closed box surround sound
Drive units	7 Speaker drivers, comprising: Dedicated Centre Channel 1 x 75mm (3in) Uni Q array wth 1 x 15mm (0.6in) aluminium HF	11 Speaker drivers, comprising: Dedicated Centre Channel 1 x 75mm (3in) Uni Q array with 1 x 15mm (0.6in) aluminium HF 1 x 75mm (3in) LF
	Front Left/Right Channel 1 x 75mm (3in) Uni Q array wth 1 x 15mm (0.6in) aluminium HF 2 x 75mm (3in) LF	Front Left/Right Channel 1 x 75mm (3in) Uni Q array with 1 x 15mm (0.6in) aluminium HF 4 x 75mm (3in) LF
	Rear Left/Right Channel 1x NXT flat panel	Rear Left/Right Channel 2x NXT flat panels
Frequency range (±3dB)	100Hz- 30kHz	90Hz- 30kHz
Crossover frequency	400Hz, 5kHz	600Hz, 5kHz
Power handling	100W	100W
Sensitivity (2.83V/1m)	87dB	87dB
Maximum output (SPL)	104dB	109dB
Impedance	8Ω	8Ω
Internal volume	1.4litres	15.0litres
Weight	3.9kg (8.6lbs)	8kg (17.6lbs)
Dimensions (H x W x D)	400 x 104 x 230 mm (15.7 x 4.1 x 9.1 in.)	1020 x 210 x 230 mm (40.2 x 8.3 x 9.1 in.)
Finish	High gloss black, matt silver	High gloss black, matt silver
Connectors	Supplied with connection for any 5.1 home theatre receiver/amp ifier	Supplied with connection for any 5.1 home theatre receiver/amp ifier
Optional accessories	Floorstand Wall bracket	Wall bracket

Specifications Wireless

	KHT5005.2W	Wireless System
Transmission protocol	AAFHSS	AAFHSS
Frequency band	2.4 2.4835GHz (ISM band)	2.4 2.4835GHz (ISM band)
Data rate	Up to 1.1Mbps	Up to 1.1Mbps
Range	25m Typical maximum* (27.3yds)	25m Typical maximum* (27.3yds)
Amplifier	2x 50W (digital amplifiers)	2x 50W (digital amplifiers)
Sensitivity	80dB	80dB
Frequency response (±3dB)	20Hz- 20kHz	20Hz- 20kHz
Peak audio output	50W rms	50W rms
Crossover frequency	800Hz and 5kHz	N/A
Transmitter module	147 x 79 x 79 mm	147 x 79 x 79 mm
Dimensions (H x W x D)	(5.8 x 3.1 x 3.1 in.)	(5.8 x 3.1 x 3.1 in.)
Receiver module	Additional 50mm (4.8 in.)(height on floorstand)	147 x 79 x 79 mm (H x W x D)
Dimensions	Additional 122mm (2.0 in.)(height on deskstand)	(5.8 x 3.1 x 3.1 in.)
Finish	High gloss black, matt silver	High gloss black

* Environmental factors such as building materials and construction may adversely affect wireless signal range